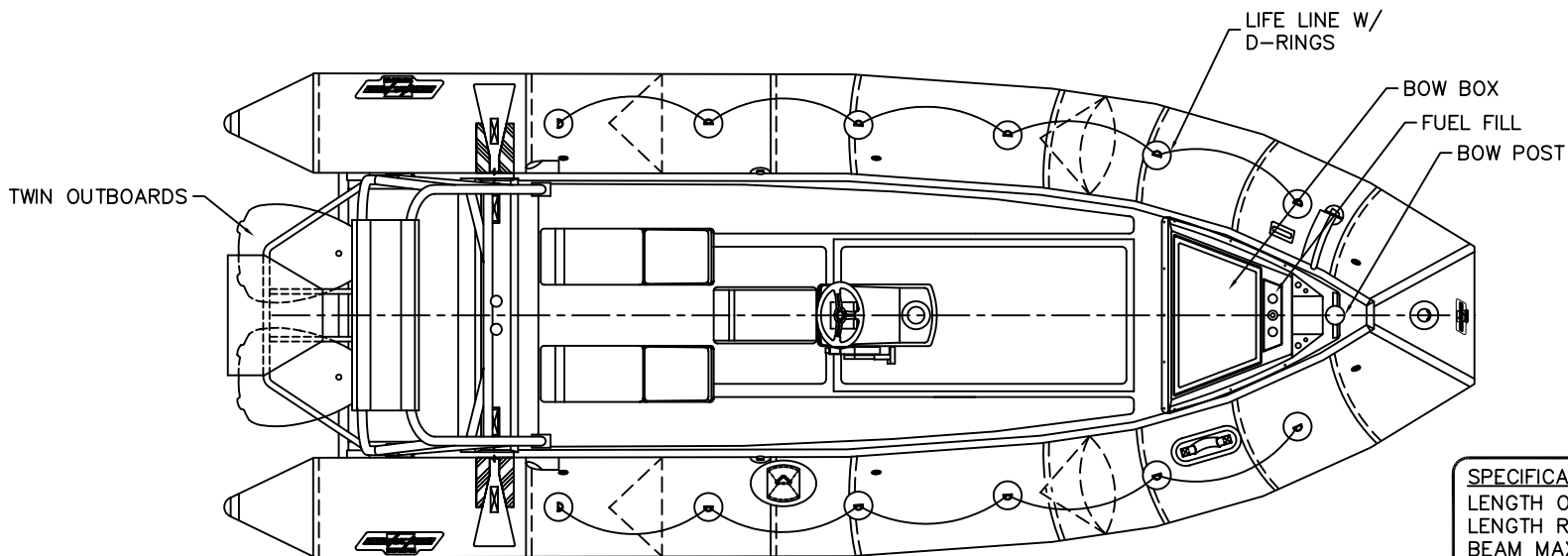




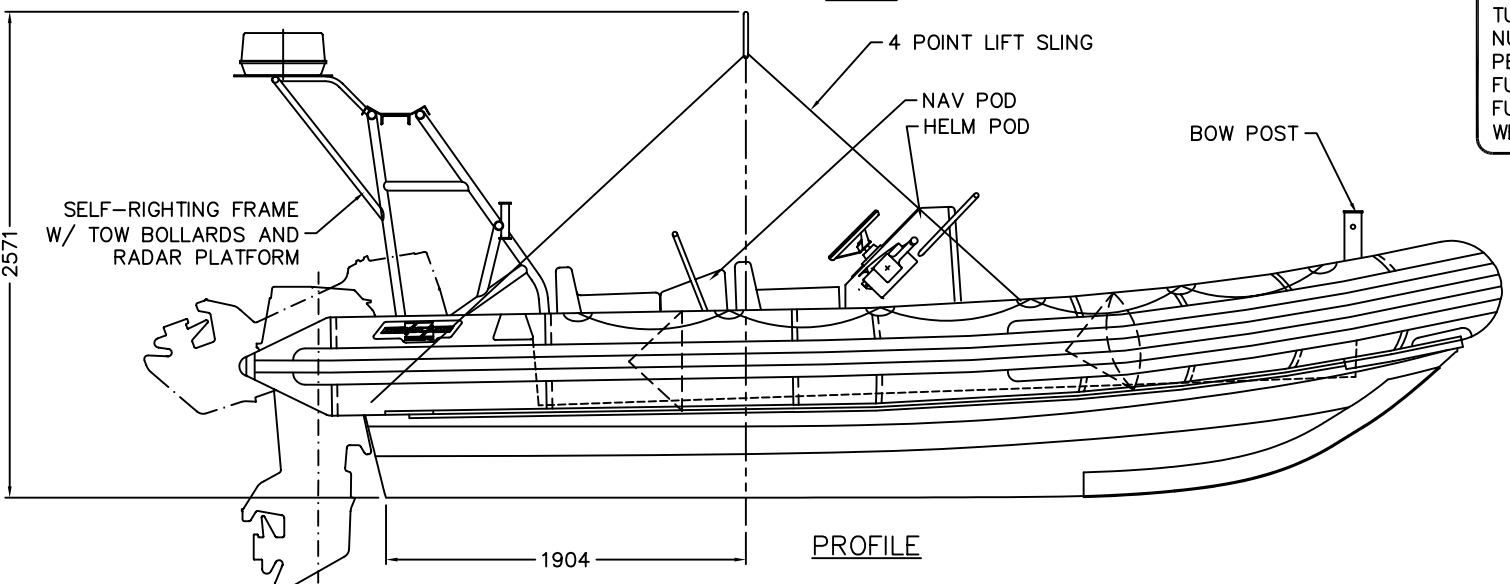
ZODIAC HURRICANE TECHNOLOGIES INC.

# H630 OB SAR



PLAN

SPECIFICATIONS:	
LENGTH OVERALL	22' (6.7M)
LENGTH RIGID HULL	19.5' (5.94M)
BEAM MAX	8.5' (2.59M)
BEAM RIGID HULL	6.17' (1.89M)
HORSEPOWER MAX	180 HP
TUBE DIAMETER	21" (534mm)
NUMBER OF AIR CHAMBERS	5
PERSON CAPACITY	15
FUEL CAPACITY (MAIN)	48 US GAL (181 litres)
FUEL CAPACITY (RESERVE)	48 US GAL (181 litres)
WEIGHT	2299 lbs (1045 kg)



PROFILE

THIS DRAWING SHALL REMAIN THE PROPERTY OF ZODIAC HURRICANE TECHNOLOGIES INC. AND IS SUBJECT TO RECALL AT ANY TIME. MATERIAL DESCRIBED HEREIN OR PARTS THEREOF MAY NOT BE REPRODUCED, USED, MANUFACTURED OR PUBLICIZED WITHOUT WRITTEN PERMISSION FROM ZODIAC HURRICANE TECHNOLOGIES INC.